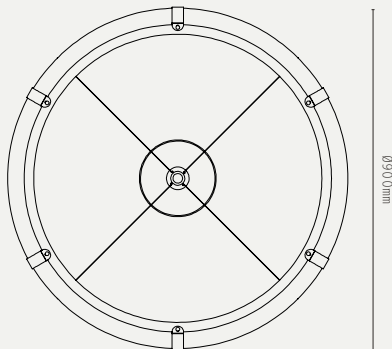
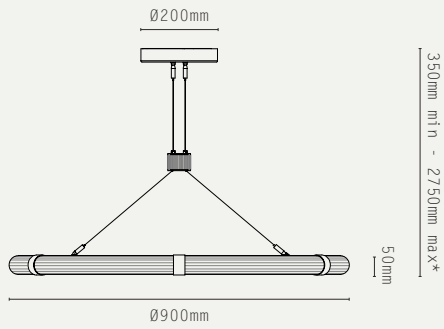


## STRATA CIRCULAR 900



\*longer drop available at extra cost

### LIGHT SOURCE:

LINEAR 24V LED MODULE (20W)

COB LED DOWNLIGHT MODULE (6W)

TOTAL: 26W / 2700K

### DIMMING:

PHASE (MAINS) DIMMING USING

SUPPLIED 24V DRIVER

### VOLTAGE:

24V DC (DRIVER INCLUDED IN

CEILING CANOPY)

### CERTIFICATIONS:

CE / UKCA

### MATERIALS:

BRASS, GLASS, POWDER COATED

ALUMINIUM

### WEIGHT:

6.5 KG (APPROX)

### SUSPENSION:

ADJUSTABLE SUSPENSION WIRE

### OPTIONAL ACCESSORIES:

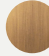
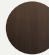
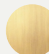
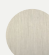
DALI DRIVER

### ADDITIONAL INFO:

DESIGNED BY WILL EARL 2025

MADE IN ENGLAND

### METAL FINISHES:

-  ANTIQUE BRASS
-  BRONZE
-  SATIN BRASS
-  SATIN NICKEL

### GLASS OPTIONS:

-  REEDED GLASS

### PRODUCT CODES:

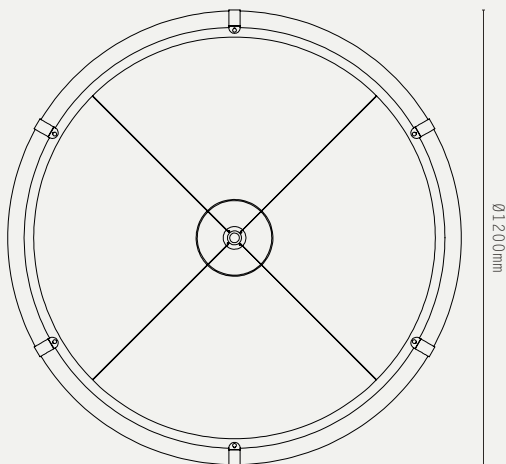
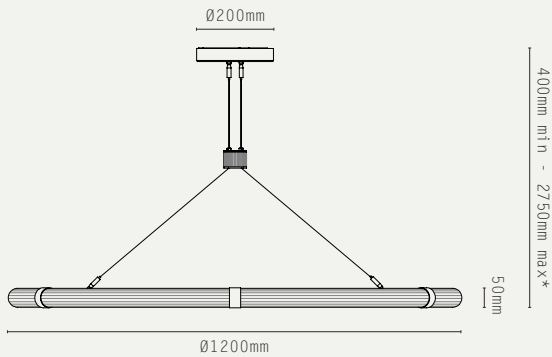
STC.P9.WC.AB - ANTIQUE BRASS

STC.P9.WC.BZ - BRONZE

STC.P9.WC.SB - SATIN BRASS

STC.P9.WC.SN - SATIN NICKEL

## STRATA CIRCULAR 1200



\*longer drop available at extra cost

### LIGHT SOURCE:

LINEAR 24V LED MODULE (28W)  
COB LED DOWNLIGHT MODULE (6W)  
TOTAL: 34W / 2700K

### DIMMING:

PHASE (MAINS) DIMMING USING  
SUPPLIED 24V DRIVER

### VOLTAGE:

24V DC (DRIVER INCLUDED IN  
CEILING CANOPY)

### CERTIFICATIONS:

CE / UKCA

### MATERIALS:

BRASS, GLASS, POWDER COATED  
ALUMINIUM

### WEIGHT:

8 KG (APPROX)

### SUSPENSION:

ADJUSTABLE SUSPENSION WIRE

### OPTIONAL ACCESSORIES:

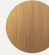
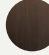
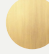
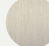
DALI DRIVER

### ADDITIONAL INFO:

DESIGNED BY WILL EARL 2025

MADE IN ENGLAND

### METAL FINISHES:

-  ANTIQUE BRASS
-  BRONZE
-  SATIN BRASS
-  SATIN NICKEL

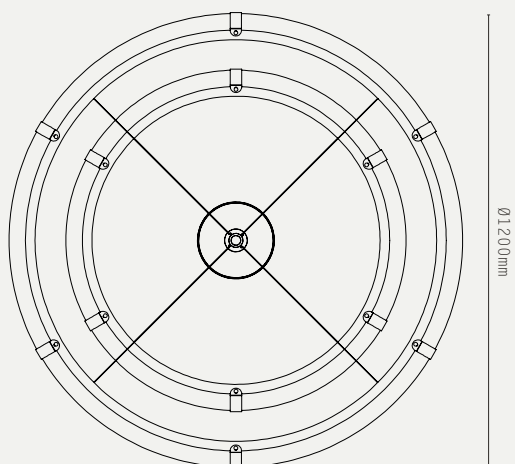
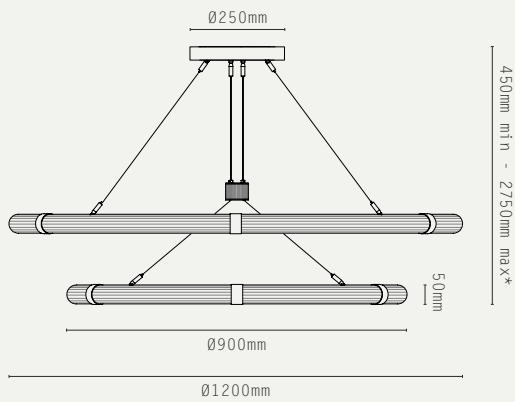
### GLASS OPTIONS:

-  REEDED GLASS

### PRODUCT CODES:

STC.P12.WC.AB - ANTIQUE BRASS  
STC.P12.WC.BZ - BRONZE  
STC.P12.WC.SB - SATIN BRASS  
STC.P12.WC.SN - SATIN NICKEL

## STRATA CIRCULAR TWO-TIER



\*longer drop available at extra cost

### LIGHT SOURCE:

24V LED MODULE (48W)

COB LED DOWNLIGHT MODULE (6W)

TOTAL: 54W / 2700K

### DIMMING:

PHASE (MAINS) DIMMING USING

SUPPLIED 24V DRIVER

### VOLTAGE:

24V DC (DRIVER INCLUDED IN

CEILING CANOPY)

### CERTIFICATIONS:

CE / UKCA

### MATERIALS:

BRASS, GLASS, POWDER COATED

ALUMINIUM

### WEIGHT:

14 KG (APPROX)

### SUSPENSION:

ADJUSTABLE SUSPENSION WIRE

### OPTIONAL ACCESSORIES:

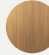
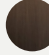
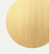
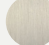
DALI DRIVER

### ADDITIONAL INFO:

DESIGNED BY WILL EARL 2025

MADE IN ENGLAND

### METAL FINISHES:

-  ANTIQUE BRASS
-  BRONZE
-  SATIN BRASS
-  SATIN NICKEL

### GLASS OPTIONS:

-  REEDED GLASS

### PRODUCT CODES:

STC.P2T.WC.AB - ANTIQUE BRASS

STC.P2T.WC.BZ - BRONZE

STC.P2T.WC.SB - SATIN BRASS

STC.P2T.WC.SN - SATIN NICKEL